

# BLACKline Torch sets MSZ/MCZ 305 (up to 550A)

## Properties

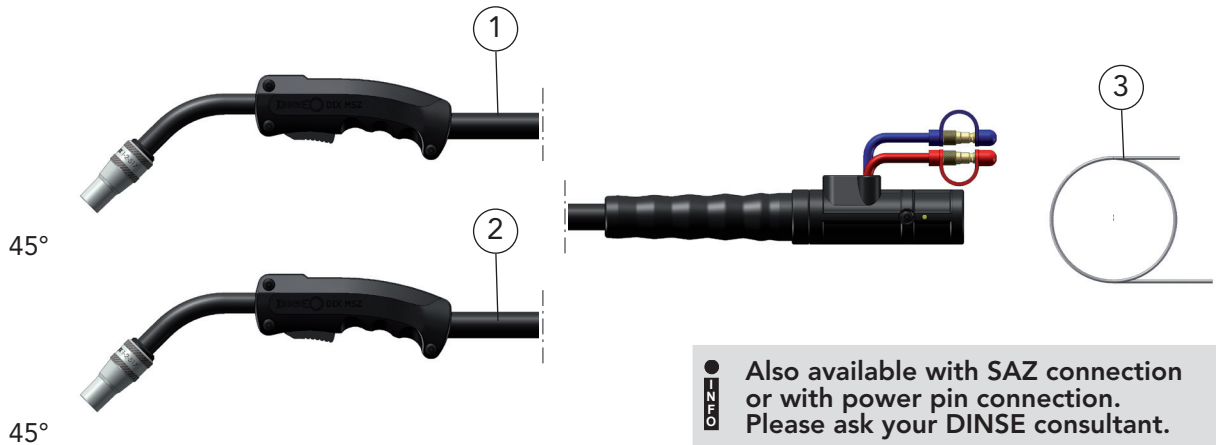
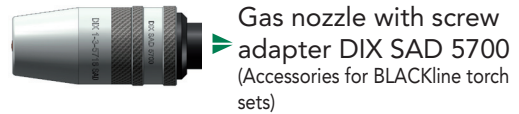
- High duty cycle due to improved cooling of the gas nozzle
- Flexible supply hose
- Bend protection at the plug view
- Gas nozzle with rugged trapezoidal thread
- Optimum gas coverage by recessed contact tip
- Gas reduction by laminar gas flow and design of the gas diffusor
- No gas loss due to separate shield gas feed

## Application

- Non- and low alloyed steels
- High alloyed steels
- Aluminum-, magnesium-, copper- and nickel alloys
- Large material thicknesses

## Technical data (DIN EN 60 974-7):

Dual-circuit liquid cooled	
	duty cycle
CO <sub>2</sub> :	550A/60%
Mixed gas:	500A/60%
Wire diameter:	1.2 - 2.0 mm



● Also available with SAZ connection or with power pin connection. Please ask your DINSE consultant.

Description	Dimension	Part name	Part number
1 Torch set	3.00 m	DIX MSZ 305-3	620315330
Torch set	4.00 m	DIX MSZ 305-4	620315340
2 Torch set	3.00 m	DIX MCZ 305-3	620335330
Torch set	4.00 m	DIX MCZ 305-4	620335340
3 Liner	ø 2.2 mm/3.5 m	DIX DS 4/2.2-3.5	623000335
Liner	ø 2.2 mm/4.5 m	DIX DS 4/2.2-4.5	623000345

### Hint:

Other liners, capillary liners and service tools you will find in chapter tools and accessories.