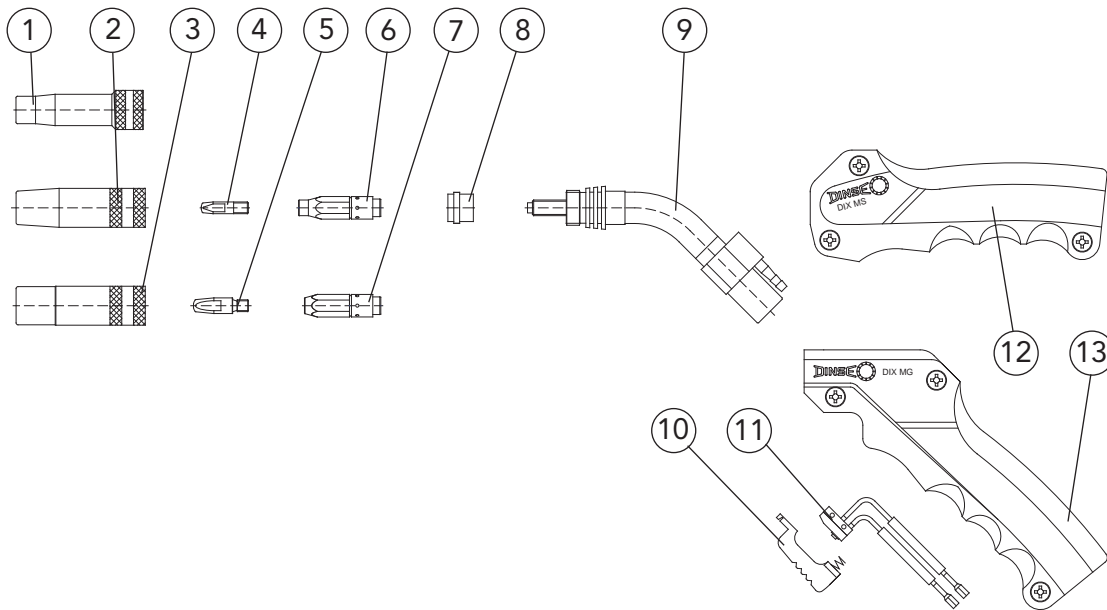


BLACKline Torch sets MS/MG 230



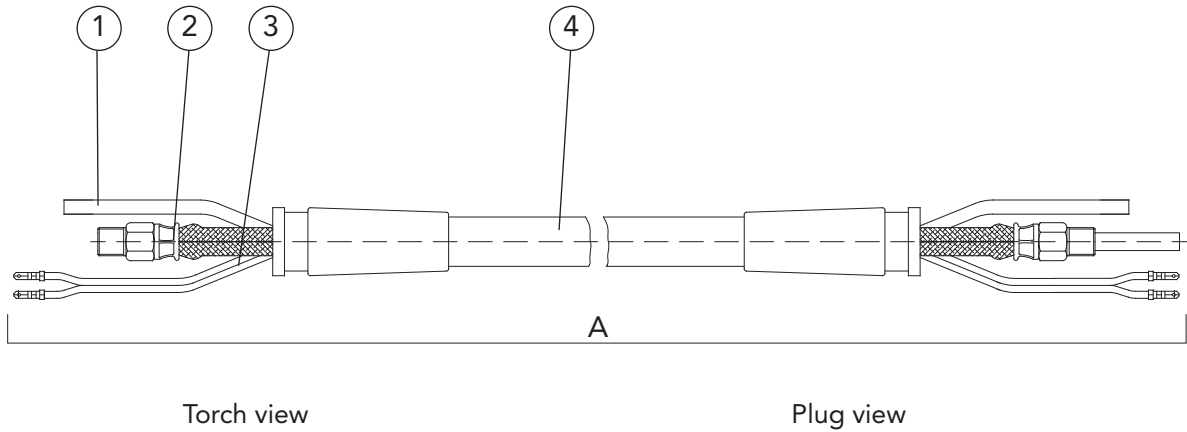
Description	Dimension	Part name	Part number
1 Gas nozzle	ø 11 mm	DIX 1-1-311 TRR	6190106110
2 Gas nozzle	ø 13 mm	DIX 1-1-312 TR	6190103120
3 Gas nozzle	ø 16 mm	DIX 1-1-316 TR	6190103160
4 Contact tip	M6 x 24 mm	DIX 3-1-__	6190300__
5 Contact tip	M6 x 28 mm	DIX 3-2-__	6290300__
Contact tip	M6 x 28 mm	DIX 3-2-__ CR-ZR	6290330__
6 Tip adapter	M6	DIX 4-1-L	619040020
7 Tip adapter	M6	DIX 4-1-K	619040010
8 Insulating sleeve		DIX 10-1-222	619100202
9 Torch neck		DIX 6-1-230	6190602310
10 Trigger		DIX 9-1	619090000
11 Micro switch		DIX 8-2	629080000
12 Handle		DIX 7-1-202 S	619070210
13 Handle		DIX 7-1-202 G	619070200

__ Enter the required wire diameter, e.g.: 08 = 0.8 mm or 10 = 1.0 mm.

- Standard equipment for wire diameter 1.0 mm steel with gas nozzle DIX 1-1-312 TR, contact tip DIX 3-1-1.0, tip adapter DIX 4-1-L and liner DIX DS 4/1.8. Variants deviating of the standard fittings on request.



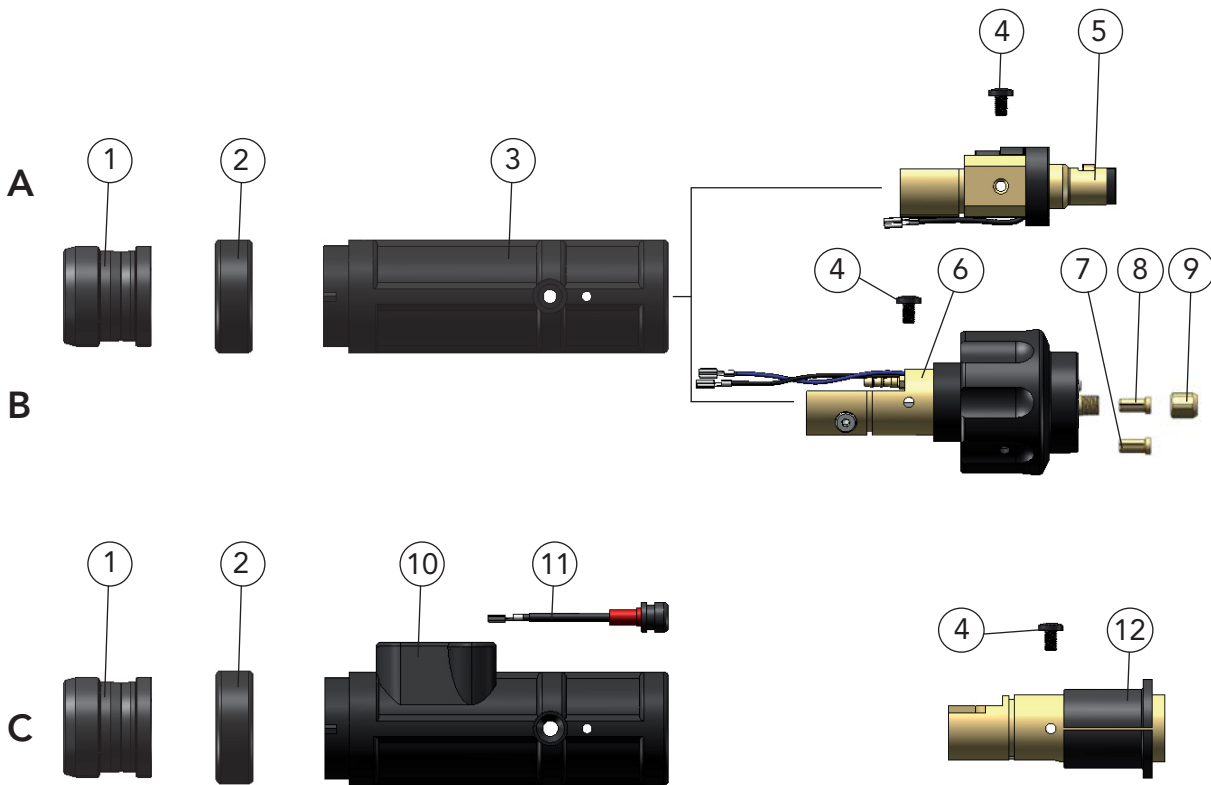
BLACKline Torch sets MS/MG 230 Supply hose



Description	Part name	Part number
A Supply hose	DIX VLM 200-__	6122002__
1 Gas hose	DIX VL 180-__	639186001__
2 Binary cable	DIX VLM 223-__	6192062__
3 Control wire	DIX VLM 211-__	6292110__
4 Cover hose	DIX VLM 230-__	6192312__

-- Enter the required length of the welding torch set, e.g.: 30 = 3.0 m or 40 = 4.0 m.
Standard length: 3.0 m and 4.0 m

BLACKline Torch sets MS/MG 230 Plug



● You need a Power Pin / Power Pin Set for the compact plug DIX KCME 230 N (Pos. C). You will find the Power Pin / Power Pin Set that fits to your wire feeder in the chapter tools and accessories or you ask your DINSE consultant.

Description	Part name	Part number
A Plug	DIX KCME 230	614000230
B Plug	DIX KCME 230 SA	614000231
C Plug	DIX KCME 230 N	638900046
1 Reduction sleeve	DIX ME 300 RH	639116065
2 Fixing ring	DIX 12-3-510 HR	6391250013
3 Plug housing	DIX ME 300 SG	629123300
4 Holding screw (10 pcs.)	DIX ME 300 HS	629070005
5 Plug insert	DIX ME 300 SE	639113004
6 Plug insert	DIX ME 300 SA	639113005
7 Clamp sleeve, without block for liner	DIX 27-2 MAP	629270041
8 Clamp sleeve, with block for liner	DIX 27-2 SA	629270040
9 Clamp nut	DIX 28-2 SA	629280040
10 Plug housing	DIX ME 600 SGN	6391250020
Sealing cap, without picture	DIX 12-3-510 DK	901515135
11 Round plug connector	DIX CS 600 SGN	6391250021
12 Plug insert	DIX ME 300 N	639116077