



Bevelling system UZ 15 RAPID
Maximum bevel width of 15 mm / 0.6 in. Automatic feed.

UZ 15 Rapid



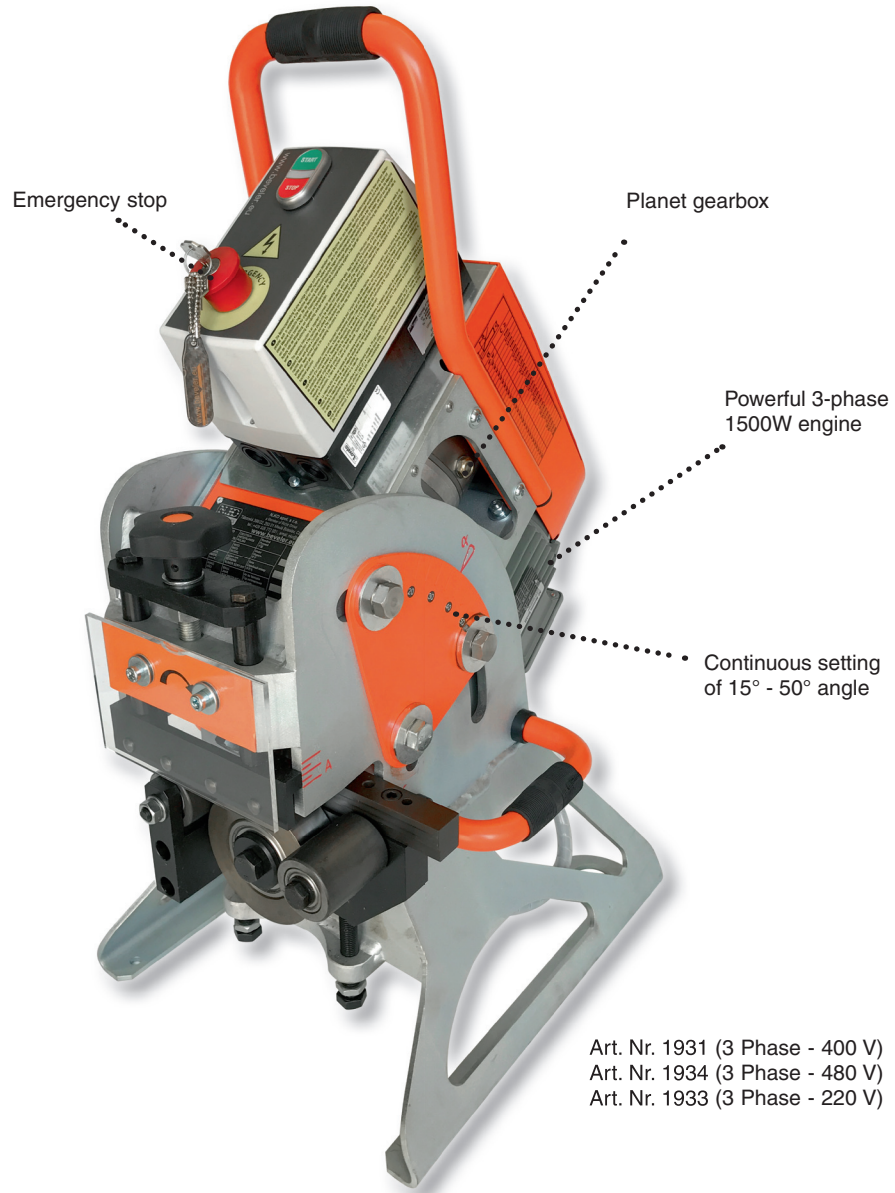
Incredibly quiet operation



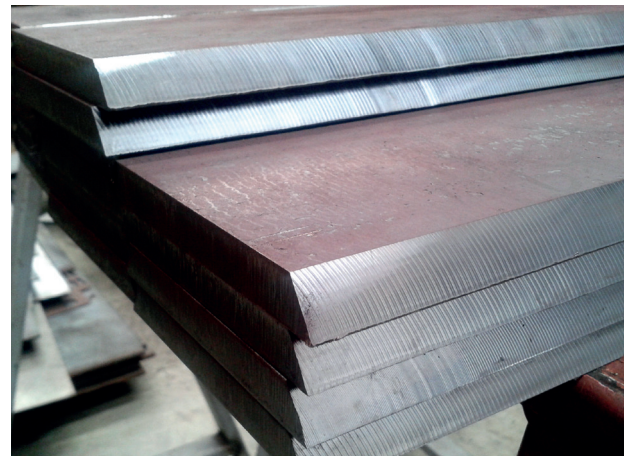
3D adaptive system

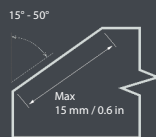


**3 BEVELERS
IN ONE**



Art. Nr. 1931 (3 Phase - 400 V)
Art. Nr. 1934 (3 Phase - 480 V)
Art. Nr. 1933 (3 Phase - 220 V)



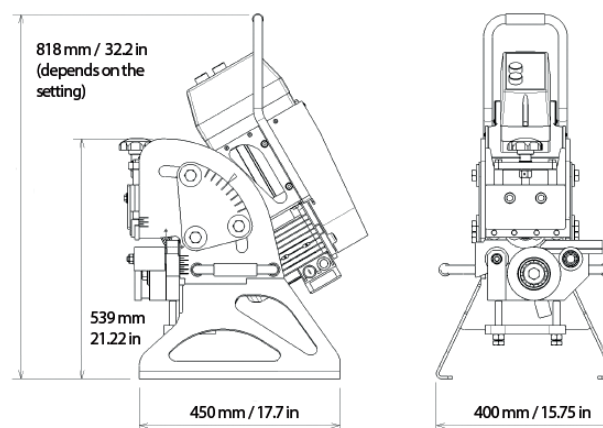


The UZ15 RAPID machine is one of the fastest automatic bevelling machines with the automatic feed on the market. It is suitable not only for workshops, but also for assembly operations. It has a continuous working angle adjustment system. In addition, the machine is equipped with an automatic feed. Working with UZ15 Rapid is therefore very comfortable.

- For conventional steel (up to 600 MPa / 87 022 PSI), brass, copper and aluminium.
- For bevelling material with minimum dimensions - width 70 mm / 2.75 in, length 150 mm / 5.9 in, thickness 6 mm / 0.23 in.
- Thickness of bevelled material 6 to 40 mm / 0.23 to 1.57 in .
- The bevel angle is easily adjustable from 15° to 50° smoothly, without the need to replace any part.
- The device is capable of performing double-sided bevel (X, K) without the need for material handling.
- Easy connection to the 3D Manipulator for easier operation and handling.
- The machine is equipped with an automatic feed.
- Possibility of stationary and mobile use.
- The machine works on large workpieces without support at a speed of 3.5 m/min / 11.48 ft/ min.
- Smaller parts of the material are inserted directly into the machine.
- Discounted price when purchasing UZ15 RAPID together with the 3D Manipulator.

Technical data:

Max. bevel width:	15 mm / 0.6 in
Continuously adjustable angle:	15° - 50°
Thickness of bevelled material:	6 to 40 mm / 0.23 to 1.57 in
Engine:	1500 W
Feed:	3,5 m/min. / 11.48 ft/min.
Weight:	94 kg / 207 lb
Dimensions:	530 x 395 x 860 mm 20.9 x 15.5 x 33.9 in



Included in price:

- UZ 15 RAPID bevelling system.
- Tools for an operator.
- Packet in a wooden crate.
- User manual.

Machine name:	Art. Nr.
Bevelling system UZ 15 RAPID (3 Phase - 400 V)	1931
Bevelling system UZ 15 RAPID (3 Phase - 480 V)	1934
Bevelling system UZ 15 RAPID (3 Phase - 220 V)	1933

Accessories:	Art. Nr.
ECO cutting tool - suitable for conventional steel	2137
ECO cutting tool - suitable for conventional steel - 2 + 1 free set	2134
PVD cutting tool - suitable for tougher materials	2142
PVD cutting tool - suitable for tougher materials - 2 + 1 free set	1936
PREMIUM Cutting Tool - coated TiN, suitable for conventional steel	2136
3D Manipulator - allows to rotate the machine by 180° to create a two-sided bevel and facilitates the machine transport across the workplace.	1930



Art. Nr. 2137



Art. Nr. 2134



Art. Nr. 2136



Art. Nr. 1936



3D adaptive system



Art. Nr. 1930





Bevelling system UZ 15 RAPID + 3D MANIPULATOR set
 Maximum bevel width of 15 mm / 0.6 in. Automatic feed.

UZ 15 Rapid + 3D manipulator set



Silent operation



3D adaptive system



**3 BEVELERS
 IN ONE**

Art. Nr. 1932 (3 Phase - 400 V)
 Art. Nr. 1937 (3 Phase - 480 V)
 Art. Nr. 1938 (3 Phase - 220 V)

Rotary mechanism allows to perform double-sided bevelling without the need for material handling.

Machine position height adjustment.

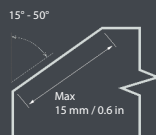
3D adaptive system compensates for inequalities of floor and allows for machine positioning according to the situation at a workplace

Quick connect machine system



set UZ 15 RAPID + Manipulator 3D

**3 BEVELERS
 IN ONE**



The UZ15 RAPID machine is one of the fastest beveling machines with an automatic feed on the market. It is not only suitable for workshops, but also for assembly operations. It has a continuous working angle adjustment system. In addition, the machine is equipped with an automatic feed. Working with UZ15 Rapid is therefore very comfortable.

The unique 3D MANIPULATOR - unique design of the manipulator offers the possibility of a simple turning of the beveling machine by 180° for performing the X, K double-sided bevel. There is no need to use any tools for rotation. No need to handle material resulting in significant time savings.

The quick-connect system offers the ability to connect and disconnect the UZ15 RAPID from the 3D Manipulator within seconds without the use of any tools. This will be used in a situation where the 3D Manipulator cannot track the machine due to the poor quality of the working floor. The machine is then able to drive along the material itself. The 3D manipulator system enables the machine to adapt its working position to the current workplace situation, the UZ15 RAPID so-called „floats“ on the machined metal sheet and compensates for any unevenness of the floor or material deformation.

The 3D manipulator also ensures convenient transport of the machine across the workplace.

The lifting mechanism allows an easy adjustment of the working height of the machine.

Large castors guarantee comfortable overcoming obstacles and unevenness.

Working with or without the 3D Manipulator is possible.

Possibility to use 3D Manipulator as a fixed workstation for small pieces processing or as a UZ15 RAPID service bracket.

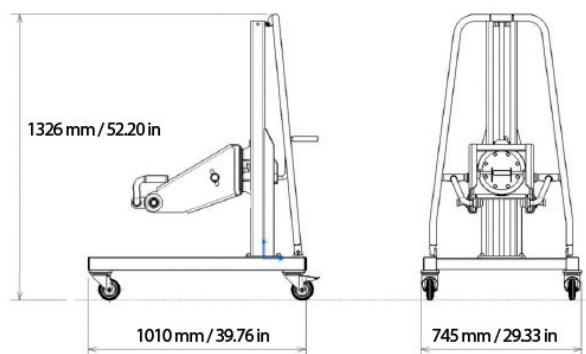
- The manipulator allows a quick and easy rotation of the UZ 15 RAPID machine by 180° to create double-sided beveling in X or K shape. A worker does not need a crane to turn the material - great time savings at work.
- The unique clamping system enables to clamp the UZ 15 RAPID machine and to remove it from the manipulator within a few seconds without any use of tools.
- The UZ 15 RAPID „floats“ in the 3D MANIPULATOR and compensates for floor unevenness.
- The 3D MANIPULATOR enables easy machine handling.
- The required height of the machine can be adjusted using the lifting device.
- The possibility to use the machine with without the 3D manipulator.
- The possibility to use the 3D Manipulator a stationary mode.
- The possibility to use the 3D Manipulator as a service station for the maintenance of UZ 15 RAPID.

Technical data:

Weight of the whole set: 179 kg / 394 lb
 Dimensions: 1010 x 745 x 1326 mm
 39.76 x 29.33 x 52.2 in

Included in price:

Beveling system UZ 15 RAPID including 3D MANIPULATOR
 Tools for an operator.
 Packet in a wooden crate.
 User manual.



Machine name:

Art. Nr.

Beveling system UZ 15 RAPID including the 3D MANIPULATOR (3 Phase - 400 V)	1932
Beveling system UZ 15 RAPID including the 3D MANIPULATOR (3 Phase - 480 V)	1937
Beveling system UZ 15 RAPID including the 3D MANIPULATOR (3 Phase - 220 V)	1938

